

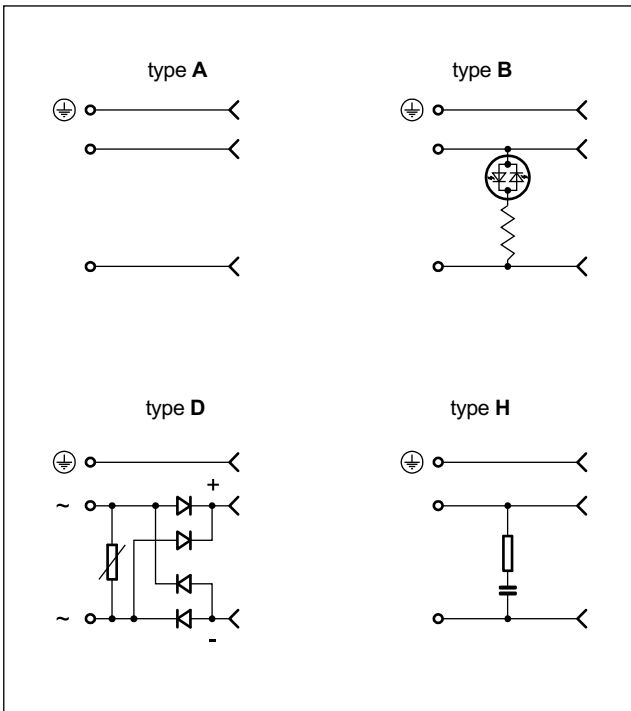
EC
ELECTRIC CONNECTORS
SERIES 10



EN 175301-803
(ex DIN 43650 / ISO 4400)

type A

ELECTRICAL DIAGRAM



DESCRIPTION

- The EC connectors, are according to EN 175301-803 form "A" and are used for the electrical connection of solenoid vaves.
- When they are correctly installed and coupled they provide protection according to IEC EN 60529 standards, class of protection IP65/67.
- The class of insulation is in compliance with IEC 60664-1 2007 specifications, with operating voltage up to 250 V, overvoltage category II, operating degree 3.
- The wire terminal block is removable from the external housing for simplifying the wire connection to the clamps, and it allow the electrical contacts to be turned through 90° (except version H) if required.
- Four different types with specific functions are available:
 - type **A**, connector two poles + ground
 - type **B***, with LED
(available voltages: 10 ÷ 50 and 70 ÷ 250V)
 - type **D**, with bridge rectifier
 - type **H**, with RC damping circuit
- Type A is also available in gray colour, to differentiate the solenoids mounted on the side "a" or "b".
- They are supplied with M3 fixing screw and NBR gasket.

TECHNICAL CHARACTERISTICS

		type A	type B*	type D	type H
Voltage supply	V DC/AC	up to 230	10 ÷ 50 / 70 ÷ 250	up to 230	up to 230
Number of poles		2 + ground			
Current on connections: nominal maximum	A		10 16		
Contact resistance	mΩ		≤ 4		
Maximum conductor size	mm		1,5		
Cable exit		Pg9 / Pg11 unified			
Electromagnetic compatibility (EMC)		according to 2014/30/EU			
Low voltage		according to 2014/35/EU			
Protection degree		IP 65/67 - IEC 60529			
Insulation class		class C (IEC 60664-1:2007-04)			
Operating temperature	°C	-40 / +90			

1 - IDENTIFICATION CODE

E C / / 10	
Electric connector EN 175301-803 (ex DIN 43650 / ISO 4400)	Series No. (the overall and mounting dimensions remain unchanged from 10 to 19)
Connector type	Colour:
A = two poles + ground	Type A
B1 = two poles + ground with led which burns when the solenoid is energized power supply voltage 10 ÷ 50 V AC/DC	B = black (standard)
B2 = two poles + ground with led which burns when the solenoid is energized power supply voltage 70 ÷ 250 V AC/DC	A = grey
D = two poles + ground with Graetz bridge rectifier: for alternating current power supply source with direct current coils with current consumption max 1 ampere.	Type B
H = two poles + ground with RC damping circuit, to avoid voltage peaks as circuit opening, suitable for alternating and direct current coils.	N = transparent
	Types D, H
	B = black

NOTE: For the connectors type A - D - H it is not necessary to specify the operating voltage, as the power supply voltage is up to 230 V.

2 - OVERALL AND MOUNTING DIMENSIONS

type A, B1, B2, D

type H

dimensions in mm

remove this seal to obtain a PG11