



**HC3**  
HYDRAULIC CYLINDERS  
**HCK3**  
HYDRAULIC CYLINDERS  
ATEX 2014/34/UE  
SERIES 10

**ISO 6022**  
**DIN 24333**

**DESCRIPTION**

- Double acting cylinders constructed in compliance with ISO 6022 and DIN 24333.
- The materials used to make these cylinders are particularly resistant and make them suitable for applications in the iron and steel sector.
- The cylinder is available with 5 different mounting styles as well as a range of accessories to meet all application requirements.

A - scraper ring  
 B - piston rod seal  
 C - guide ring  
 D - drain seal (O-Ring)  
 E - piston rod seal  
 F - guide ring  
 G - piston seal  
 H1 - front cushioning adjustment screw  
 H2 - rear cushioning adjustment screw  
 L1 - front cushion  
 L2 - rear cushion  
 M - front cushioning bushing  
 N - rear cushioning bushing

ATEX 2014/34/UE rated version for installation in potentially explosive atmospheres is now available. The standard version of cylinders is ATEX II 2GD classified, whereas cylinders with proximity sensors are ATEX II 3GD classified. The declaration of conformity to the up mentioned standards is always supplied with the cylinder. See paragraph 3 for details.

**PERFORMANCES**

Nominal operating pressure (continuous service)	bar	250
Maximum operating pressure	bar	320
Maximum speed (standard)	m/s	0,5
Maximum stroke (standard)	mm	5000
Fluid temperature range (standard)	°C	-20 / +80
Fluid viscosity range	cSt	10 + 400
Fluid contamination degree		According to ISO 4406:1999 class 20/18/15
Recommended viscosity	cSt	25

### 1 - CHARACTERISTICS

#### 1.1 - Bores and piston rods

Ø 50 to Ø 400 mm bores are available to enable a vast choice according to required force.

Two piston rod diameters are available for each bore:

- reduced piston rod with area ratio 1:1.65
- standard piston rod with area ratio 1:2

#### 1.2 - Cushionings

On request, gradual and adjustable cushioning devices can be fitted in the front and/or rear ends of the cylinder without affecting overall dimensions.

The special design of the cushions ensures optimal repeatability also in the event of variations in fluid viscosity.

Cushioning devices are always recommended as they ensure impact-free stopping even at high speed thus reducing pressure surges and impact transferred to the mounting supports.

The cylinder ends of bores higher than 160mm with cushioning can have an additional port connected directly with the braking chamber. This connection must be used in case of application, near the cylinder, of a pressure relief valve set at 350 bar, to limit overpressures during braking. For further information and for the order identification code, please consult our technical office.

The table below shows cushioning cone lengths:

Bore (mm)	50	63	80	100	125	140	160	180	200	250	320	400
Front cone length (mm)	38	40	50	50	60	60	75	75	80	100	100	110
Rear cone length (mm)	34	42	58	49	64	64	68	73	69	101	99	108

#### 1.3 - Connections

The cylinders are supplied as standard with cylindrical BSP threads and spot facing for seal rings in compliance with ISO 1179.

Connections which are oversized compared to those shown in the dimensional tables are available upon request. For further information and for the order identification code, please consult our technical office.

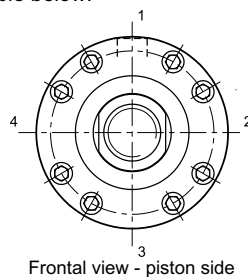
For correct cylinder operation, fluid velocity must not exceed 5 m/s.

#### 1.4 - Connection position

Standard positions of the oil ports, cushioning adjustment screws, breathers, optional external drain and optional end-stroke proximity sensors, are indicated in the table below.

Connection positions different from the standard are available upon request. As a consequence, the other options positions will be rotated.

For special requests, please consult our technical office.



	POSITION
Connections	1
Cushioning adjustment	3
Breathers	4
Drainage	1
Proximity end stroke	2
Optional port (see par. 1.2)	4

#### 1.5 - Seals

The table below illustrates seal characteristics in relation to hydraulic fluid and operating temperatures.

Type	Seal type	Seal material	Hydraulic fluid	Minimum pressure [bar]	Operating pressure [°C]	Max speed [m/s]
K	Standard	nitrile polyurethane	mineral oil	10	-20 / +80	0,5
M	Low friction	nitrile PTFE	Mineral oil Water glycol	20 (note)	-20 / +80	15
V	high temperature and / or aggressive fluid	Viton PTFE	Special fluids	10	-20 / +150	1

**NOTE:** for lower pressure use consult our technical office.

#### 1.6 - Strokes

Standard cylinders are available with strokes up to 5000 mm. Longer cylinder strokes can be supplied on request.

Stroke tolerances are:

- 0 + 1 mm for strokes up to 1000 mm
- 0 + 4 mm for strokes up to 5000 mm.

#### 1.7 - Spacers

In the case of cylinder strokes above 1000 mm we recommend the use of spacers which can be inserted to reduce loads on the piston rod bushing and prevent the piston from sticking.

Spacers are constructed in hardened and tempered steel with PTFE facing.

Every spacer is 50 mm long. We recommend to insert 1 spacer for strokes from 1001 to 1500 mm, with an increment of 1 spacer for every 500 mm stroke.

You must remember that the overall length of the cylinder increases according to the number of inserted spacers (50 mm for each spacer).

#### 1.8 - Drainage

A connection for external drainage on the front end (even on the back end for double-rod cylinders) can be supplied upon request, for fluid drops recovery of the first seal of the rod, without any modification to the overall dimensions.

Connection: 1/8" BSP for bore up to Ø 100 included - 1/4" BSP for higher bores.

#### 1.9 - Breathers

On request cylinder ends can be supplied with breathers for the elimination of air. This is necessary when the entire stroke is not used or when connections are not facing upwards.

#### 1.10 - Surface finish

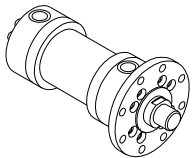
The cylinders are supplied painted with Duplomatic black opaque colour with a paint thickness of 40µ. The rod is chromed.

### 2 - IDENTIFICATION CODE

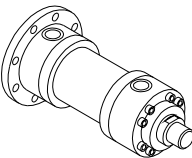
K = Explosion-proof version according to ATEX 2014/34/UE (paragraph 3). Omit if not required.

HC		3	-	/	/	-	-	-	-	/	-	/	/	10
----	--	---	---	---	---	---	---	---	---	---	---	---	---	----

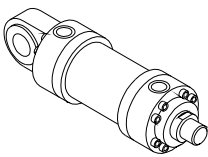
**MOUNTING STYLE**



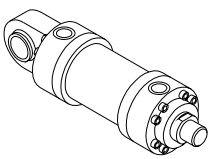
**A = Front flange (MF3)**



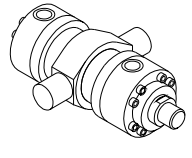
**B = Rear flange (MF4)**



**D = Male clevis (MP3)**



**F = Spheric swivel (MP5)**



**L = Mid swinging (MT4)**

Series  
(indicate for spare parts requests)

Dimension XV  
for "L" mounting  
(omit for other mounting styles)

N. of spacers multiple of 50 mm (omit if not required) (see par. 1.7)

Back end connection position (1-4) (see par. 1.4)

Front end connection position (1-4) (see par. 1.4)

Drainage for second rod. Omit if not required (see par. 1.8)

0 = without drainage  
E = external drainage with connection on the back end

Drainage (see par. 1.8)

0 = without drainage  
E = external drainage with connection on the front end

Breathers (see par. 1.9)

0 = without breathers  
S = front and back breathers

Cushioning (see par. 1.2):

0 = without cushioning      1 = front  
2 = back                              3 = front and back

Seals (see par. 1.5):

K = standard (nitrile + polyurethane)  
M = low friction (nitrile + PTFE)  
V = high temperature (viton + PTFE)

Stroke (mm) - For cylinders with spacers indicate the working stroke.

Double rod threading (omit if not required).  
See single rod for dimensions

Double rod (omit if not required)

See single rod for dimensions. Not available with mounting style B-D-F.

Rod threading: Male thread (**standard**)

W = Female thread (see par. 4)

Ø rod (mm)	Rods available for each bore												
32	36	•											
40	45		•										
50	56			•									
63	70				•								
80	90					•							
90	100						•						
100	110							•					
110	125								•				
125	140									•			
160	180										•		
200	220											•	
250	280												•
Bore (mm)	50	63	80	100	125	140*	160	180*	200	250	320	400	

\* Bores not considered by the standard ISO 6022

### 3 - ATEX 2014/34/UE RATED VERSION

ATEX 2014/34/UE rated version cylinders for installation in potentially explosive atmospheres are now available. The standard version of cylinders is ATEX II 2GD classified, whereas cylinders with proximity sensors are ATEX II 3GD classified.

The supply is always delivered accompanied by:

- the ATEX declaration of conformity
- the operating and maintenance user manual, where are described all the information for the proper use of cylinders in potentially explosive environments.

TYPE EXAMINATION CERTIFICATE N°: **CEC 10 ATEX 138**

#### 3.1 - Identification code

To order the ATEX-rated version, simply insert the letter K in the initial part of the identification code. The description becomes HCK3-\*

For cylinders without end-stroke proximity sensors please order with the identification code shown at paragraph 2.

Example: HCK3C-200/125-350-K3-S-0-11/20

For cylinders equipped with end-stroke proximity sensors please refer to the identification code shown at paragraph 16.1.

Example: HCK3F-FP22-80/56-225-K3-S-0-11/20

The ATEX-rated cylinders equipped with end-stroke proximity sensors are compliant with the specifications listed paragraph 16; Also the same prescriptions described in that paragraph are effective. (NB: for bores Ø125 and Ø400 feasibility contact our technical department).

The proximity sensors are compliant with the description and the wiring diagram shown at the paragraph 16.2.

#### 3.2 - Classification

Cylinders without end-stroke proximity sensors have this ATEX mark:

II 2GD ck IIC T4 (-20°C Ta +80°C)

EX: Specific marking of explosion protection as ATEX 2014/34/UE directive and related technical specification requests.

II: Group II for surface plants

2: Category 2 high protection, eligible for zone 1 for gases and zone 21 for dust (automatically be eligible for zone 2 category 3 for gases and zone 22 for dust)

GD: for use in areas in which explosive atmospheres caused by gases, vapours, mists or air/dust mixtures.

ck: protection by constructional safety and by liquid immersion

IIC: Gas group (automatically eligible for group IIA and IIB)

T4: Temperature class for gas (max surface temperature)

-20°C Ta +80°C: Ambient temperature range

Cylinders with end-stroke proximity sensors have this ATEX mark:

II 3GD ck IIC T4 (-20°C Ta +80°C)

EX: Specific marking of explosion protection as ATEX 2014/34/UE directive and related technical specification requests

II: Group II for surface plants

3: Category 3 standard protection, eligible for zone 2 for gases (zone 22 for dust)

GD: for use in areas in which explosive atmospheres caused by gases, vapours, mists or air/dust mixtures.

ck: protection by constructional safety and by liquid immersion

IIC: Gas group (automatically eligible for group IIA and IIB)

T4: Temperature class for gas (max surface temperature)

-20°C Ta +80°C: Ambient temperature range

#### 3.3 - Operating temperatures

The operating ambient temperature must be between -20°C and +80 °C.

The fluid temperature for the standard version seals (K) and for low friction seals (M) must be between -20°C and +80°C, as for viton (V) seals must be between -20°C and +120 °C.

The actuators are T4 (T135° C) class temperature classified, so they are eligible for operation also at higher class temperature (T3, T2, T1 (T200° C).

#### 3.4 - Admitted velocities

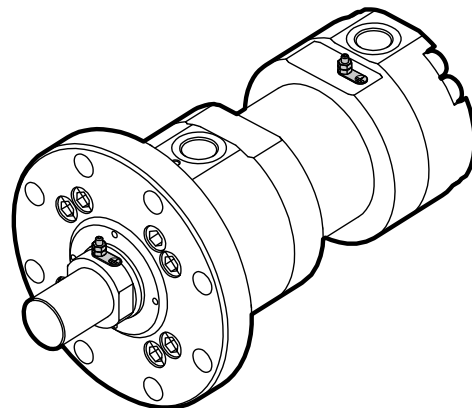
The maximum permissible speed is 0.5 m/s for standard cylinder seals (K) and 1 m/s for actuators with low friction seals (M) or Viton (V).

#### 3.5 - Connectors

The connectors for the end-stroke proximity are available upon request. They are metal, to be wired. The ordering code is **0680961**. One connector per sensor is needed.

#### 3.6 - Grounding points

The ATEX certified actuators are supplied with two grounding points, one on the rear head and one on the rod, for the wire of the cylinder with the ground (M4 screws).



The bottom grounding point must always be connected whereas the connection of the rod grounding point can be avoided in case the whole mechanical stroke is covered during the cylinder operating phase (from the mechanical stop on the cylinder head to the mechanical stop on the bottom), or in case the rod has already been grounded through the mechanical connection between the rod itself and the machine/plan it is installed on.

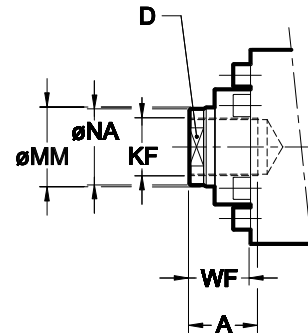
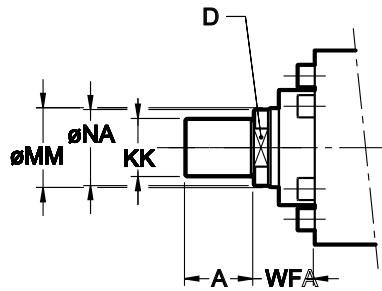
In order to verify such a condition it is necessary to test the equipotentiality of the parts and a maximum resistance equal to 100 Ω as per the EN13463-1 norm.

## 4 - OVERALL AND MOUNTING DIMENSIONS

dimensions in mm

Standard = male thread

W = female thread



\* For bores  $\varnothing 180$  (piston rod  $\varnothing 110$ ) and higher, the rod has 4 holes at  $90^\circ$  realized on  $\varnothing NA$  and of  $\varnothing$  shown in the table.

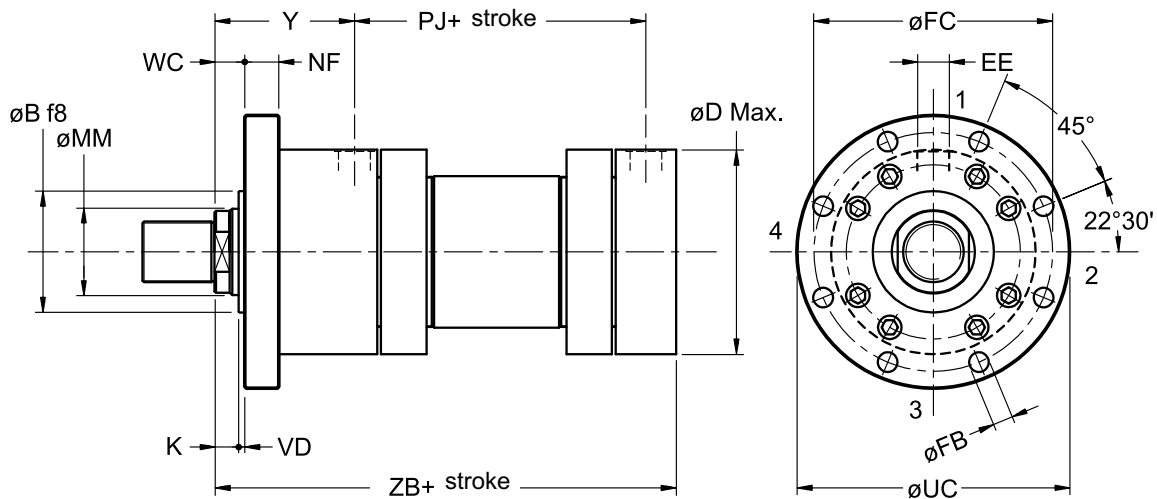
A pin wrench UNI 6752 - DIN 1810 must be used.

Bore	MM $\varnothing$ rod	KK	$\varnothing NA$	KF	A	D	WF
50	32	M27x2	31	-	36	28	47
	36		35	M27x2		32	
63	40	M33x2	38	-	45	34	53
	45		43	M33x2		36	
80	50	M42x2	48	-	56	43	60
	56		54	M42x2		46	
100	63	M48x2	60	-	63	53	68
	70		67	M48x2		60	
125	80	M64x3	77	-	85	65	76
	90		87	M64x3		75	
140	90	M72x3	87	-	90	75	76
	100		96	M72x3		85	
160	100	M80x3	96	-	95	85	85
	110		106	M80x3		95	
180	110	M90x3	106	-	105	95	95
	125		121	M90x3		$\varnothing 12^*$	
200	125	M100x3	121	-	112	$\varnothing 12^*$	101
	140		136	M100x3			
250	160	M125x4	155	-	125	$\varnothing 15^*$	113
	180		175	M125x4			
320	200	M160x4	195	-	160	$\varnothing 15^*$	136
	220		214	M160x4			
400	250	M200x4	245	-	200	$\varnothing 20^*$	163
	280		270	M200x4			

## 5 - OVERALL AND MOUNTING DIMENSIONS ISO MF3

### A FRONT FLANGE

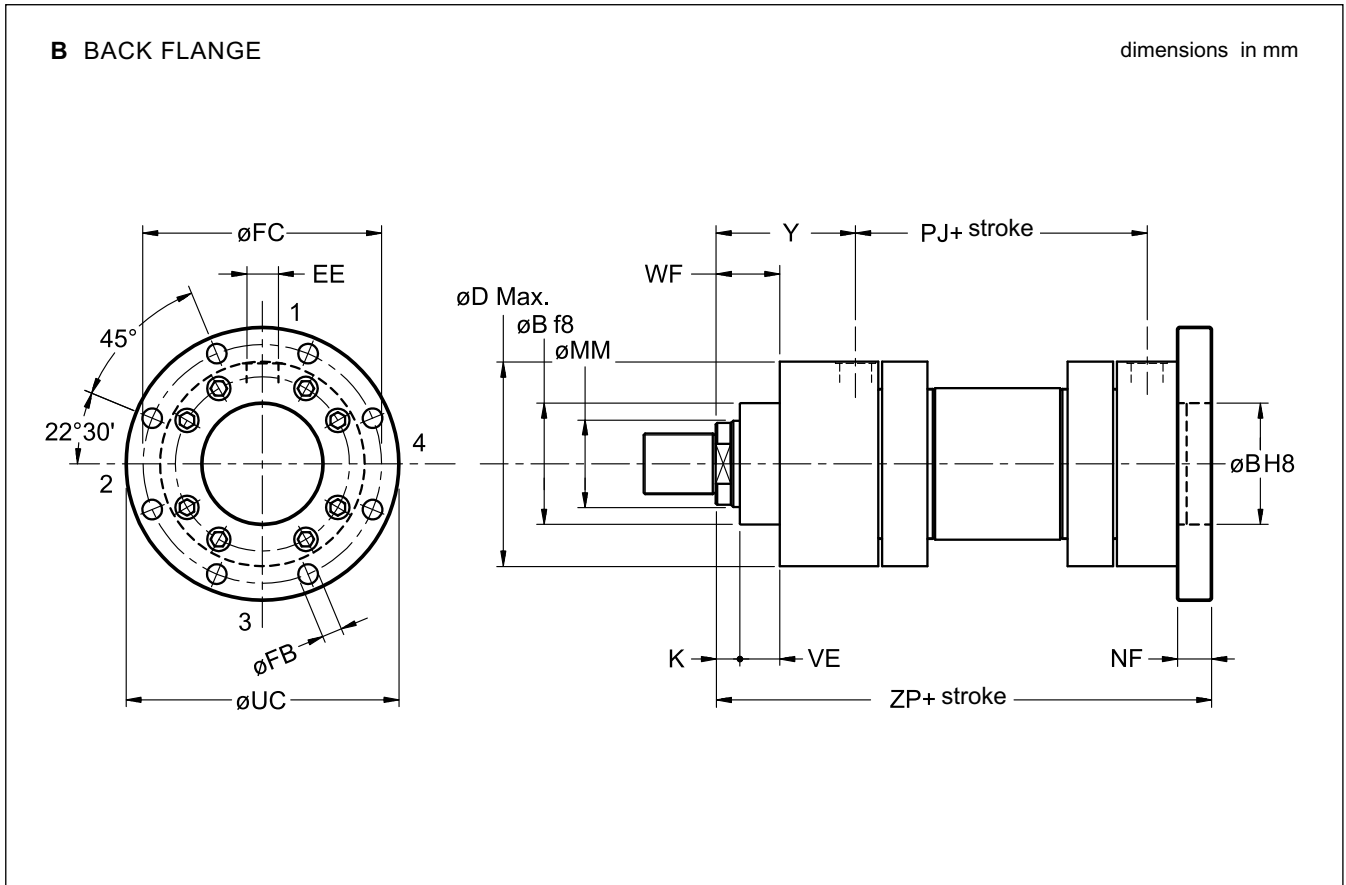
dimensions in mm



**NOTE:  $\varnothing 400$  bore has 12 equally spaced  $\varnothing FB$  holes in the mounting flange**

Bore	MM $\varnothing rod$	$\varnothing B_{f8}$	$\varnothing D_{max}$	EE BSP	$\varnothing FB$	$\varnothing FC$	K	NF	PJ	$\varnothing UC$	VD	WC	Y	ZB
50	32 36	63	105	1/2"	13,5	132	18	25	120	155	4	22	98	244
63	40 45	75	122	3/4"	13,5	150	21	28	133	175	4	25	112	274
80	50 56	90	145	3/4"	17,5	180	24	32	155	210	4	28	120	305
100	63 70	110	175	1"	22	212	27	36	171	250	5	32	134	340
125	80 90	132	210	1"	22	250	31	40	205	290	5	36	153	396
140	90 100	145	255	1. 1/4"	26	300	31	40	208	340	5	36	181	430
160	100 110	160	270	1. 1/4"	26	315	35	45	235	360	5	40	185	467
180	110 125	185	300	1. 1/4"	33	365	40	50	250	420	5	45	205	505
200	125 140	200	330	1. 1/4"	33	385	40	56	278	440	5	45	220	550
250	160 180	250	410	1. 1/2"	39	475	42	63	325	540	8	50	260	652
320	200 220	320	500	2"	45	600	48	80	350	675	8	56	310	764
400	250 280	400	628	2"	45 NOTE	720	53	100	360	800	10	63	333	775

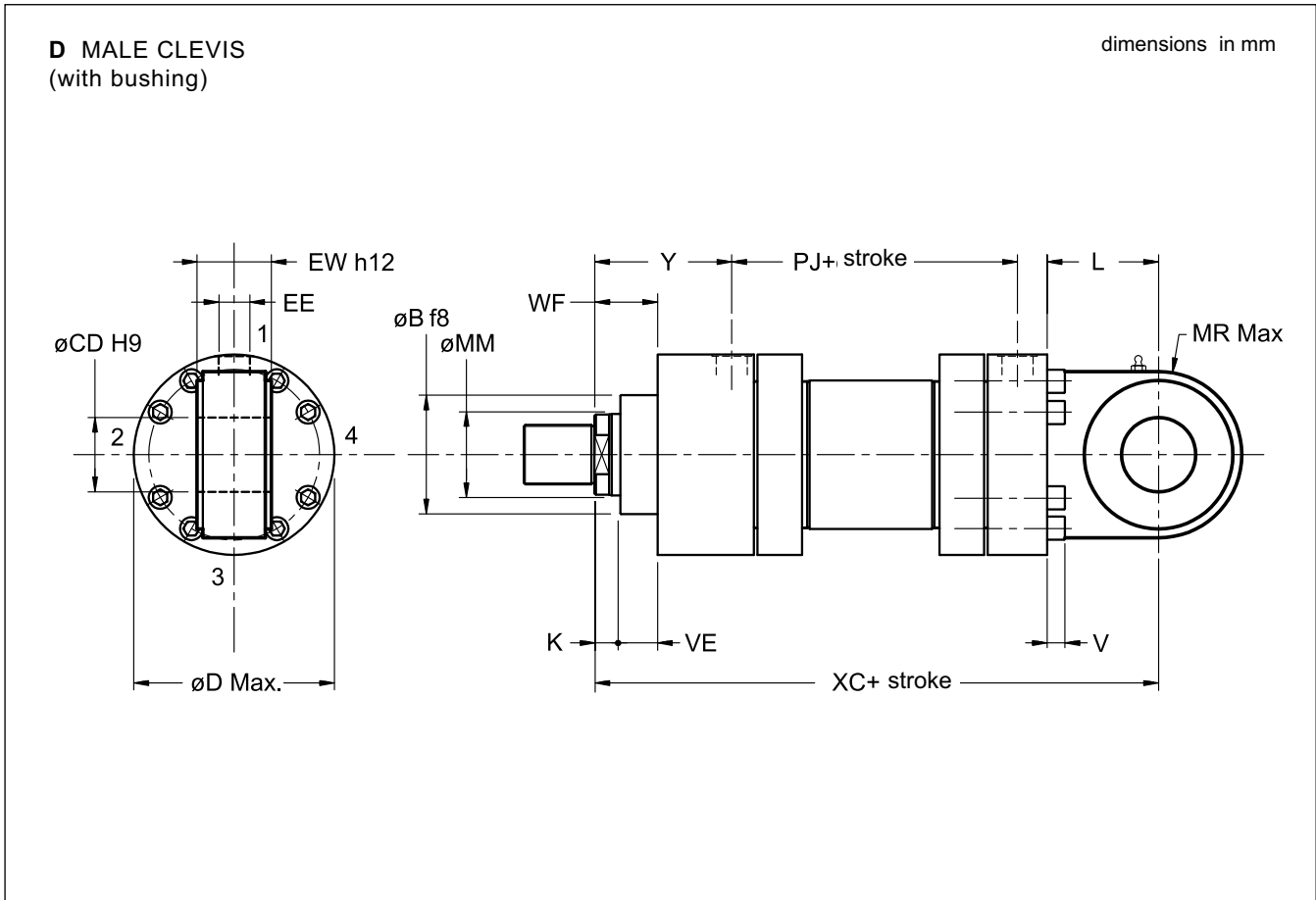
## 6 - OVERALL AND MOUNTING DIMENSIONS ISO MF4



**NOTE:  $\varnothing 400$  bore has 12 equally spaced  $\varnothing FB$  holes in the mounting flange**

Bore	MM $\varnothing$ rod	$\varnothing B$ f8	$\varnothing D$ max	EE BSP	$\varnothing FB$	$\varnothing FC$	K	NF	PJ	$\varnothing UC$	VE	WF	Y	ZP
50	32 36	63	105	1/2"	13,5	132	18	25	120	155	29	47	98	265
63	40 45	75	122	3/4"	13,5	150	21	28	133	175	32	53	112	298
80	50 56	90	145	3/4"	17,5	180	24	32	155	210	36	60	120	332
100	63 70	110	175	1"	22	212	27	36	171	250	41	68	134	371
125	80 90	132	210	1"	22	250	31	40	205	290	45	76	153	430
140	90 100	145	255	1. 1/4"	26	300	31	40	208	340	45	76	181	465
160	100 110	160	270	1. 1/4"	26	315	35	45	235	360	50	85	185	505
180	110 125	185	300	1. 1/4"	33	365	40	50	250	420	55	95	205	550
200	125 140	200	330	1. 1/4"	33	385	40	56	278	440	61	101	220	596
250	160 180	250	410	1. 1/2"	39	475	42	63	325	540	71	113	260	703
320	200 220	320	500	2"	45	600	48	80	350	675	88	136	310	830
400	250 280	400	628	2"	45 NOTE	720	53	100	360	800	110	163	333	855

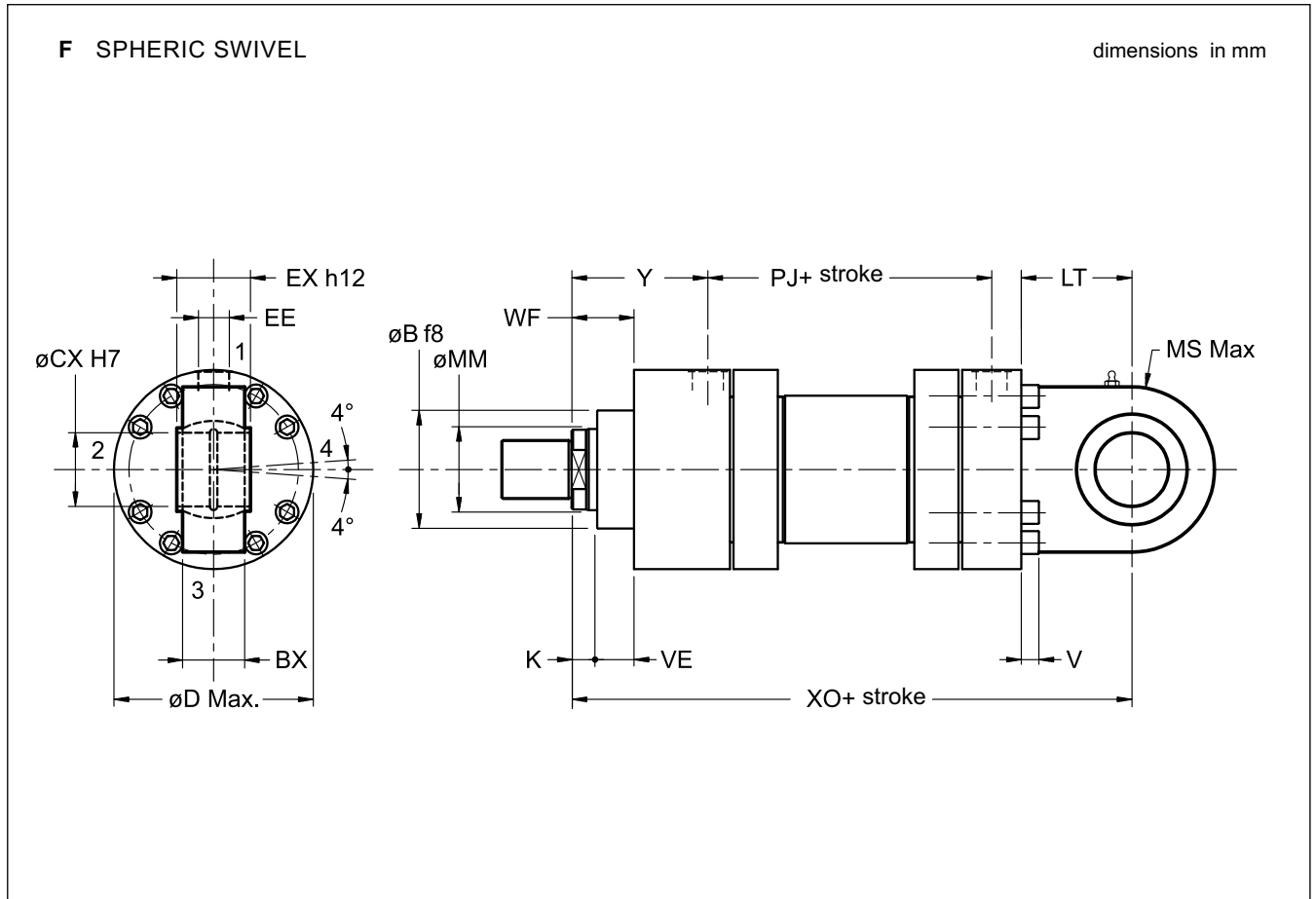
## 7 - OVERALL AND MOUNTING DIMENSIONS ISO MP3



Bore	MM Ø rod	Ø B f8	Ø CD H9	Ø D max	EE BSP	EW h12	K	L	MR max	PJ	V	VE	WF	XC	Y
50	32 36	63	32	105	1/2"	32	18	61	35	120	8	29	47	305	98
63	40 45	75	40	122	3/4"	40	21	74	50	133	10	32	53	348	112
80	50 56	90	50	145	3/4"	50	24	90	61.5	155	12	36	60	395	120
100	63 70	110	63	175	1"	63	27	102	72.5	171	16	41	68	442	134
125	80 90	132	80	210	1"	80	31	124	90	205	16	45	76	520	153
140	90 100	145	90	255	1.1/4"	90	31	150	113	208	24	45	76	580	181
160	100 110	160	100	270	1.1/4"	100	35	150	125	235	24	50	85	617	185
180	110 125	185	110	315	1.1/4"	110	40	185	147.5	250	27	55	95	690	205
200	125 140	200	125	330	1.1/4"	125	40	206	160	278	24	61	101	756	220
250	160 180	250	160	410	1.1/2"	160	42	251	200	325	27	71	113	903	260
320	200 220	320	200	510	2"	200	48	316	250	350	36	88	136	1080	310
400	250 280	400	250	628	2"	250	53	300	320	360	42	110	163	1075	333

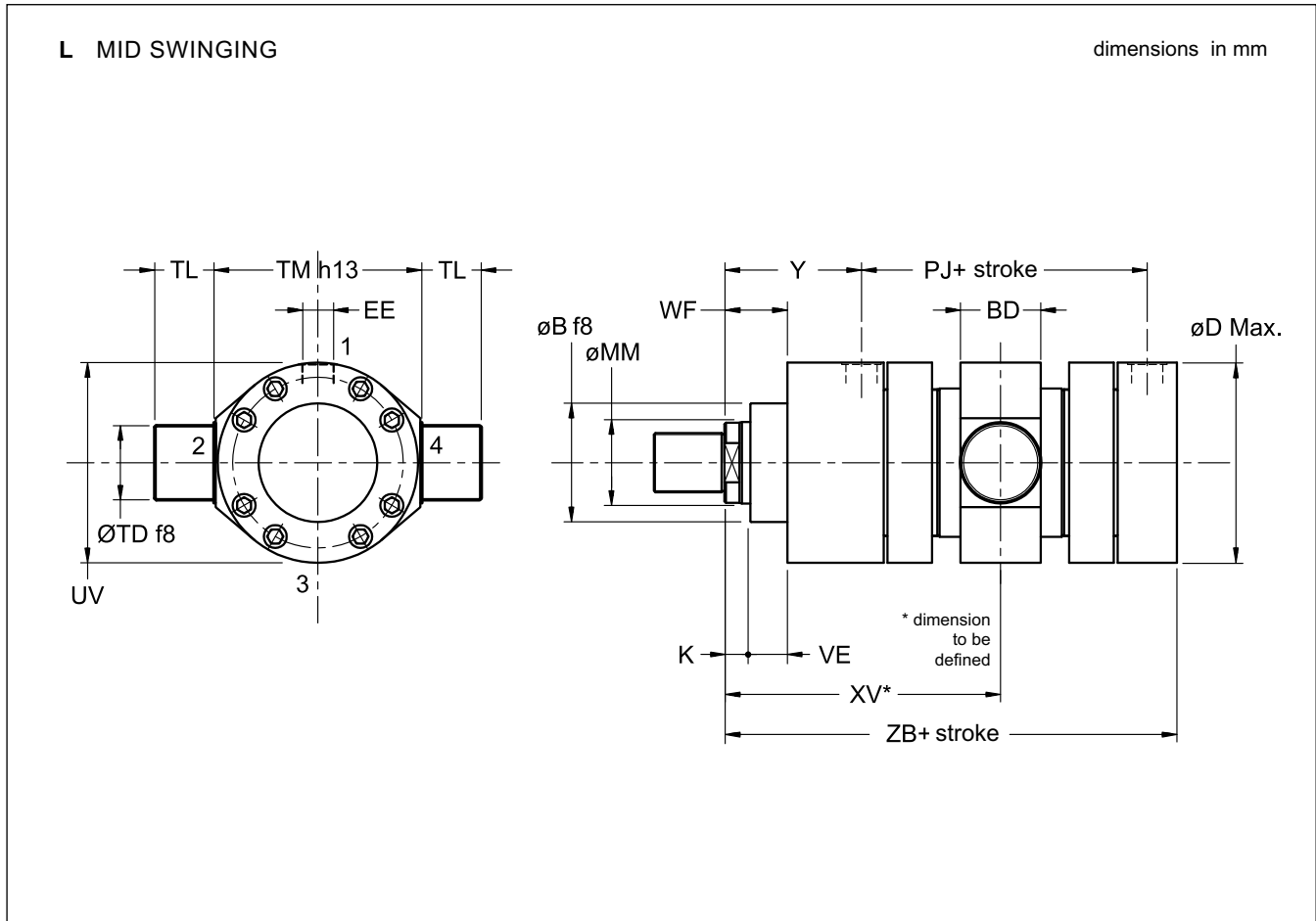


## 8 - OVERALL AND MOUNTING DIMENSIONS ISO MP5



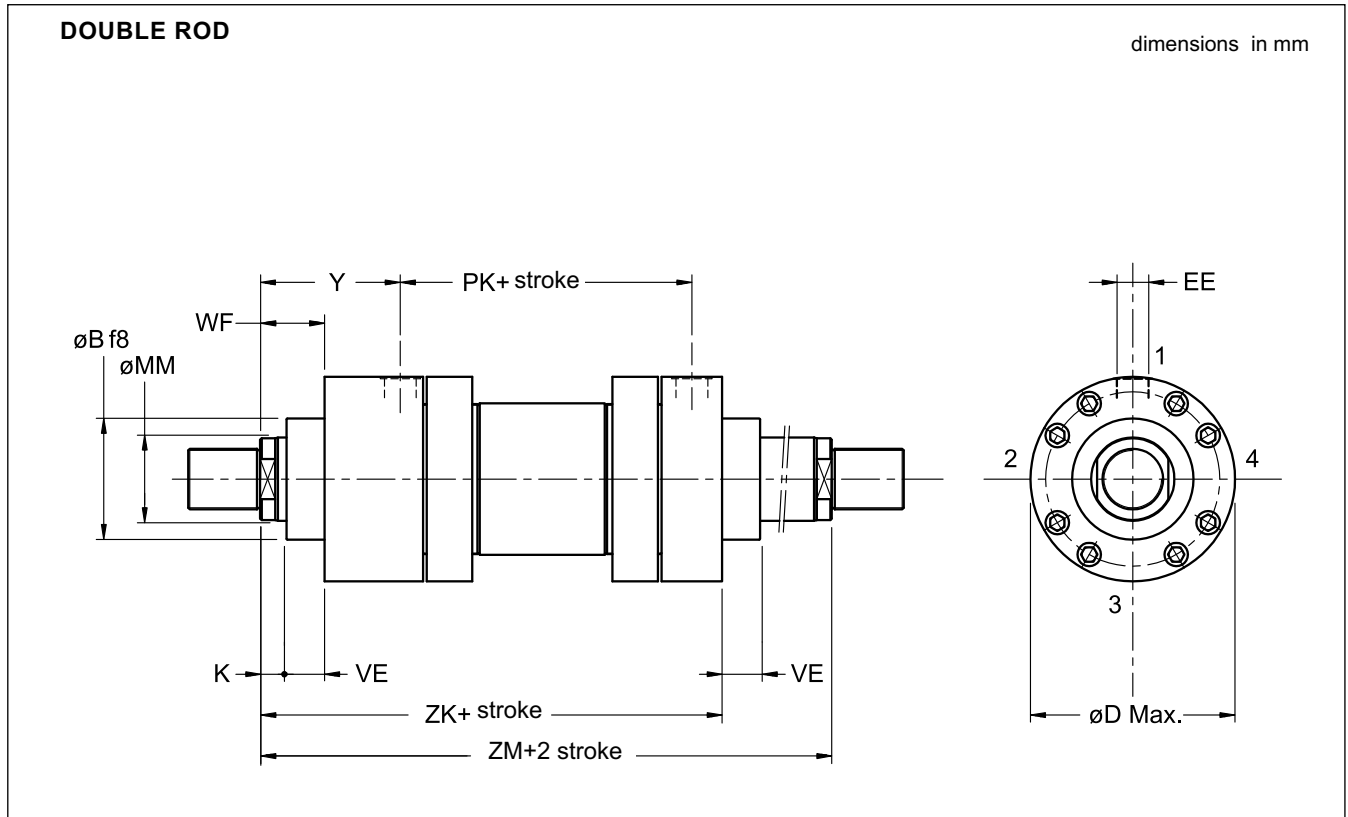
Bore	MM $\varnothing$ rod	$\varnothing B$ f8	BX	$\varnothing CX$ H7	$\varnothing D$ max	EE BSP	EX h12	K	LT	MS max	PJ	V	VE	WF	XO	Y
50	32 36	63	27	32	105	1/2"	32	18	61	40	120	8	29	47	305	98
63	40 45	75	35	40	122	3/4"	40	21	74	50	133	10	32	53	348	112
80	50 56	90	40	50	145	3/4"	50	24	90	63	155	12	36	60	395	120
100	63 70	110	50	63	175	1"	63	27	102	71	171	16	41	68	442	134
125	80 90	132	60	80	210	1"	80	31	124	90	205	16	45	76	520	153
140	90 100	145	65	90	255	1.1/4"	90	31	150	113	208	24	45	76	580	181
160	100 110	160	70	100	270	1.1/4"	100	35	150	112	235	24	50	85	617	185
180	110 125	185	80	110	300	1.1/4"	110	40	185	147.5	250	27	55	95	690	205
200	125 140	200	102	125	330	1.1/4"	125	40	206	160	278	24	61	101	756	220
250	160 180	250	130	160	410	1.1/2"	160	42	251	200	325	27	71	113	903	260
320	200 220	320	162	200	500	2"	200	48	316	250	350	36	88	136	1080	310
400	250 280	400	192	250	628	2"	250	53	300	320	360	42	110	163	1075	333

## 9 - OVERALL AND MOUNTING DIMENSIONS ISO MT4



Bore	MM Ø rod	ØB f8	BD	stroke mm	ØD max	EE BSP	K	PJ	ØTD f8	TL	TM h13	ØUV	VE	WF	XV min	XV max + stroke	Y	ZB
50	32 36	63	38	45	105	1/2"	18	120	32	25	112	105	29	47	180	144	98	244
63	40 45	75	48	45	122	3/4"	21	133	40	32	125	122	32	53	195	160	112	274
80	50 56	90	58	60	145	3/4"	24	155	50	40	150	145	36	60	220	175	120	305
100	63 70	110	73	80	175	1"	27	171	63	50	180	175	41	68	245	185	134	340
125	80 90	132	88	95	210	1"	31	205	80	63	224	210	45	76	290	220	153	396
140	90 100	145	98	115	255	1. 1/4"	31	208	90	70	265	255	45	76	330	240	181	430
160	100 110	160	108	115	270	1. 1/4"	35	235	100	80	280	270	50	85	340	255	185	467
180	110 125	185	118	150	300	1. 1/4"	40	250	110	90	320	315	55	95	390	270	205	505
200	125 140	200	133	180	330	1. 1/4"	40	278	125	100	335	330	61	101	430	280	220	550
250	160 180	250	180	220	410	1. 1/2"	42	325	160	125	425	410	71	113	505	320	260	652
320	200 220	320	220	280	500	2"	48	350	200	160	530	510	88	136	590	380	310	764
400	250 280	400	270	420	628	2"	53	360	250	200	630	628	110	163	675	340	333	775

## 10 - OVERALL AND MOUNTING DIMENSIONS



For other dimensions and mounting styles please see single rod cylinder tables.  
Not available for mounting styles B - D - F.

Bore	MM $\varnothing$ rod	K	$\varnothing D$ max	EE BSP	PK	VE	WF	Y	ZM	ZK
50	32 36	18	105	1/2"	126	29	47	98	322	275
63	40 45	21	122	3/4"	134	32	53	112	358	305
80	50 56	24	145	3/4"	153	36	60	120	393	333
100	63 70	27	175	1"	165	41	68	134	433	365
125	80 90	31	210	1"	204	45	76	153	510	434
140	90 100	31	255	1. 1/4"	208	45	76	181	570	494
160	100 110	35	270	1. 1/4"	225	50	85	185	595	510
180	110 125	40	300	1. 1/4"	250	55	95	205	660	565
200	125 140	40	330	1. 1/4"	271	61	101	220	711	610
250	160 180	42	410	1. 1/2"	308	71	113	260	828	715
320	200 220	48	500	2"	350	88	136	310	970	834
400	250 280	53	628	2"	360	110	163	333	975	812

**NOTE:** Double rod cylinders are developed with two separate rods, fixed together by means of threading.

Because of this mounting style, the rod with female threading is less resistant than the other. To simplify the identification of the more resistant rod, the "M" marking is stamped on its end.

We recommend the use of the weaker rod for the less demanding applications.

### 11 - ROD DIAMETER SELECTION

To ensure adequate stability, cylinders must be calculated for maximum compressive load according to the following simplified procedure:

- Refer to the table to identify the stroke factor according to the mounting style.
- To calculate the reference length, multiply the working stroke by the stroke factor.

- To calculate the thrust force, multiply the total cylinder area by the operating pressure.

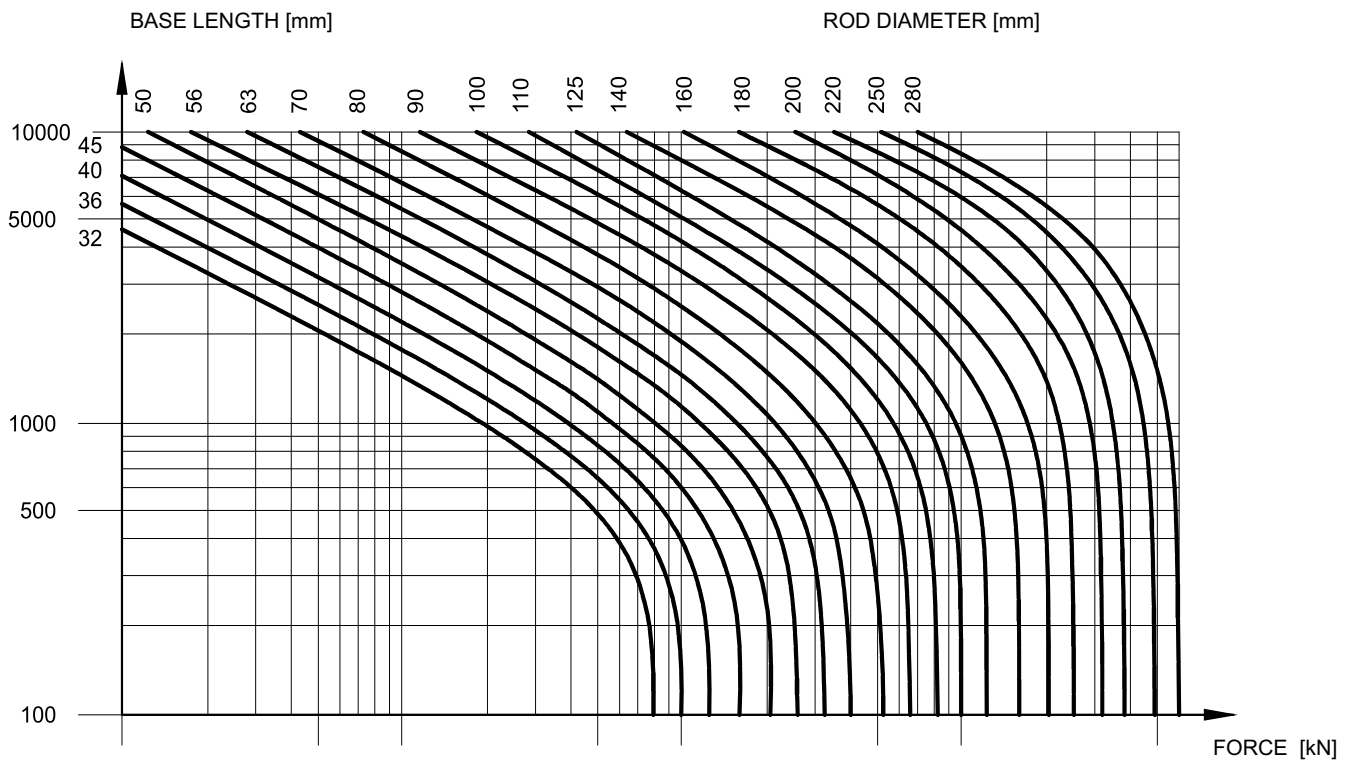
- On the diagram, find the point of intersection between the thrust force and reference length.

- Identify the minimum rod diameter on the curve above the previous point of intersection.

Cylinders with rod diameters smaller than the value plotted in the diagram will not guarantee sufficient rigidity.

Mounting style	Rod connection	Mounting	Stroke factor
A	Fixed and supported		2
	Fixed and rigidly guided		0.5
	Jointed and rigidly guided		0.7
B	Fixed and supported		4
	Fixed and rigidly guided		1
	Jointed and rigidly guided		1.5

Mounting style	Rod connection	Mounting	Stroke factor
D - F	Jointed and supported		4
	Jointed and rigidly guided		2
L	Jointed and supported		3
	Jointed and rigidly guided		1.5



### 12 - THEORETICAL FORCES

Push force  $F_s = P \cdot A_t$   
 Pull force  $F_t = P \cdot A_a$

$F_s$  = Force (extension) in N  
 $F_t$  = Force (retraction) in N  
 $A_t$  = Total area in  $\text{mm}^2$   
 $A_a$  = Annular area in  $\text{mm}^2$   
 $P$  = Pressure in MPa

1 bar = 0.1 MPa  
 1 kgf = 9.81 N

Bore mm	Ø rod mm	Total area $\text{mm}^2$	Anular area $\text{mm}^2$
50	32 36	1964	1159 946
63	40 45	3117	1861 1527
80	50 56	5027	3063 2564
100	63 70	7854	4737 4006
125	80 90	12272	7245 5910
140	90 100	15394	9032 7540
160	100 110	20106	12252 10603
180	110 125	25447	15943 13175
200	125 140	31416	19144 16022
250	160 180	49087	28981 23640
320	200 220	80425	49009 42412
400	250 280	125664	76576 64089

### 13 - THEORETICAL VELOCITIES

#### Configuration 1

The diagram illustrates a conventional cylinder application: the fluid is delivered by means of a directional control valve in alternation to the front chamber while the rear chamber is connected to tank and vice versa.

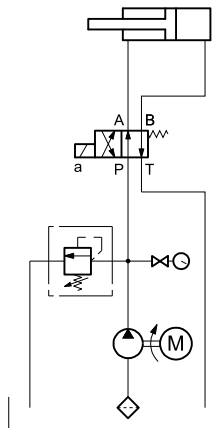
To calculate velocity and force, proceed as follows:

Velocity (extension)  $V = \frac{Q \cdot 1000}{A_t \cdot 60}$

Velocity (retraction)  $V = \frac{Q \cdot 1000}{A_a \cdot 60}$

Force (extension)  $F = P \cdot A_t$

Force (retraction)  $F = P \cdot A_a$



#### Configuration 2

When the system requires high velocity with relatively low forces, we recommend using a regenerative circuit. Diagram 2 illustrates the simplest version of this type of set-up.

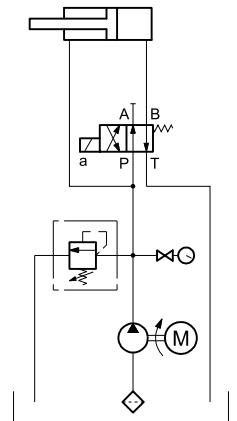
The annular chamber is permanently connected to the pump while the full bore end is connected alternately to the pump, in which case the piston rod extends as a result of the differential areas (both chambers are supplied at the same pressure), and to tank, in which case the piston rod retracts.

Velocity (extension)  $V = \frac{Q \cdot 1000}{A_s \cdot 60}$

Velocity (retraction)  $V = \frac{Q \cdot 1000}{A_a \cdot 60}$

Force (extension)  $F = P \cdot A_s$

Force (retraction)  $F = P \cdot A_a$



$V$  = Velocity in m/s  
 $Q$  = Flow rate in l/min  
 $A_t$  = Total area (piston bore) in  $\text{mm}^2$   
 $A_a$  = Annular area ( $A_t - A_s$ ) in  $\text{mm}^2$   
 $F$  = Force in N  
 $P$  = Pressure in MPa  
 $A_s$  = Rod area ( $A_t - A_a$ ) in  $\text{mm}^2$   
 $Q_d$  = Flow rate through directional control valve (Q+return flow rate from small chamber) in l/min

1 bar = 0.1 MPa  
 1 kgf = 9.81 N

**NOTE:** In the case of regenerative circuits, the sizing of the directional control valve is fundamental. Flow rate through the directional control valve is calculated according to the following formula:

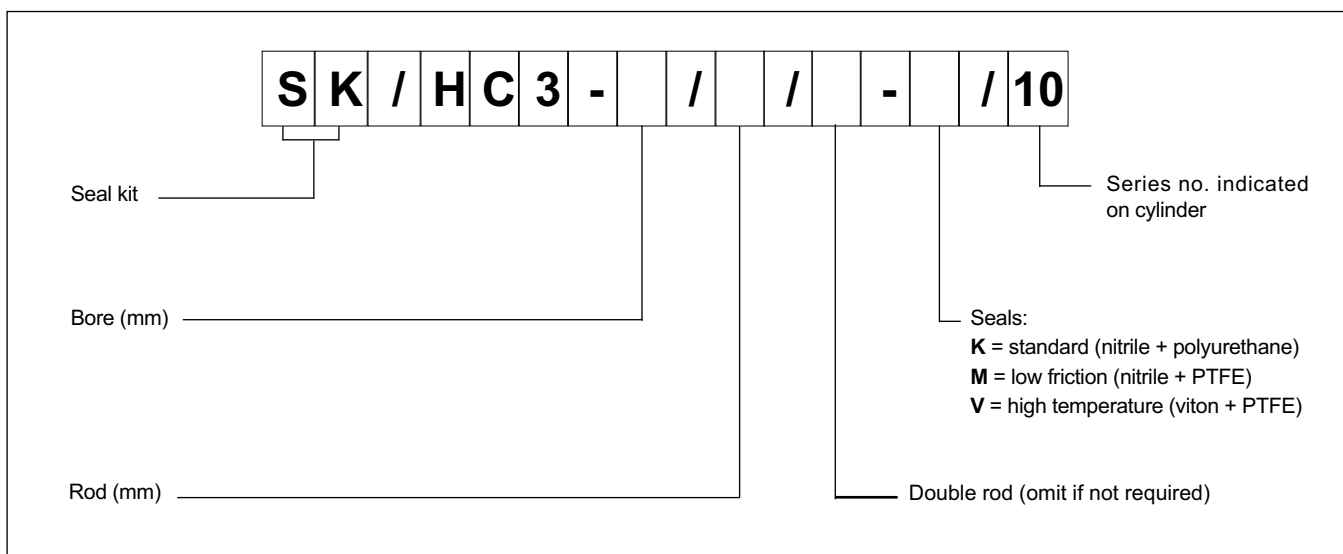
$$Q_d = \frac{V \cdot A_t \cdot 60}{1000}$$



## 14 - MASSES

Bore	Ø rod	Mass for null stroke			Mass for 10 mm stroke
		Mounting style			
		A -B	D - F	L	
mm	mm	kg	kg	kg	kg
50	32 36	14	16	17	0,2
63	40 45	28	27	27	0,3
80	50 56	39	38	39	0,5
100	63 70	61	62	63	0,6 0,7
125	80 90	103 104	107 108	110	0,9 1
140	90 100	164	173	175	1,1 1,2
160	100 110	198 199	210	208 209	1,6 1,7
180	110 125	289	296 297	298 299	2 2,2
200	125 140	356 357	365 366	364 365	2,2 2,4
250	160 180	666 667	698 700	685 687	3,2 3,6
320	200 220	1200 1250	1314 1365	1259 1310	5,1 5,6
400	250 280	2180 2250	2259 2330	2249 2320	7 7,5

## 15 - SEAL KIT IDENTIFICATION CODE



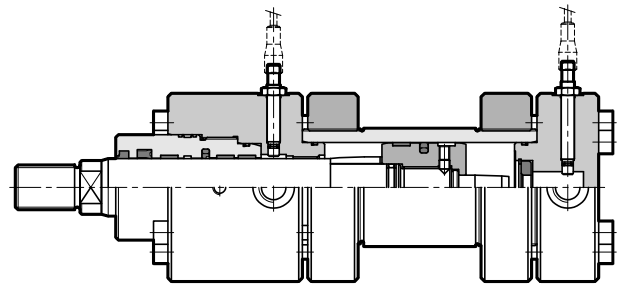
**NOTE:** the seal kit includes all the seals of a full-options cylinder (cushionings and external drain).

### 16 - END-STROKE PROXIMITY SENSORS

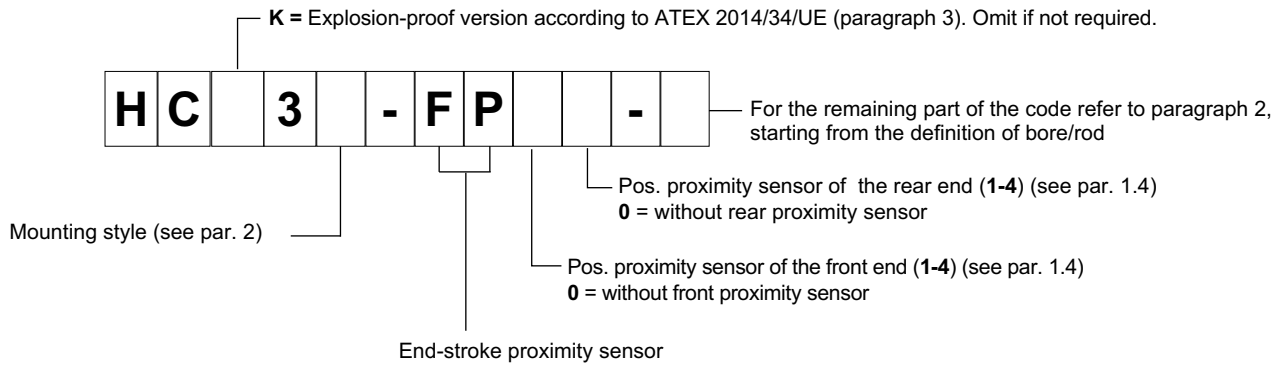
Upon request, cylinders can be supplied with end-stroke proximity sensors type PNP, with normally open output. They are mounted on the front and rear end of the cylinder and they supply an electric signal when the piston rod reaches the stroke end. They are available for all cylinder mounting styles, on both ends and for every available bore.

In order to ensure the correct functioning of the system, cylinders must be equipped with cushionings.

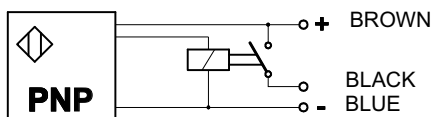
These sensors can be only used to provide the switching signal and not to control voltage loads.



#### 16.1 - Identification code



#### 16.2 - Technical characteristics and electrical connection



Rated voltage	VDC	24
Power supply voltage range	VDC	10 ÷ 30
Absorbed current	mA	200
Output	normally open contact	
Electric protection	polarity inversion short circuit overvoltage	
Electric connection	with connector	
Maximum operating pressure	bar	500
Operating temperature range	°C	-25 / +80
Class of protection according IEC EN 60529 (atmospheric ag.)	IP 68	
Piston position LED (NOTE)	NO (it's on the connector)	

#### 16.3 - Connectors

Connectors for proximity sensors must be ordered separately, by specifying the code: **ECM3S/M12L/10**

**NOTE: These connectors are not suitable for ATEX-rated cylinders. The connectors for the ATEX-rated cylinders are described at paragraph 3.5.**

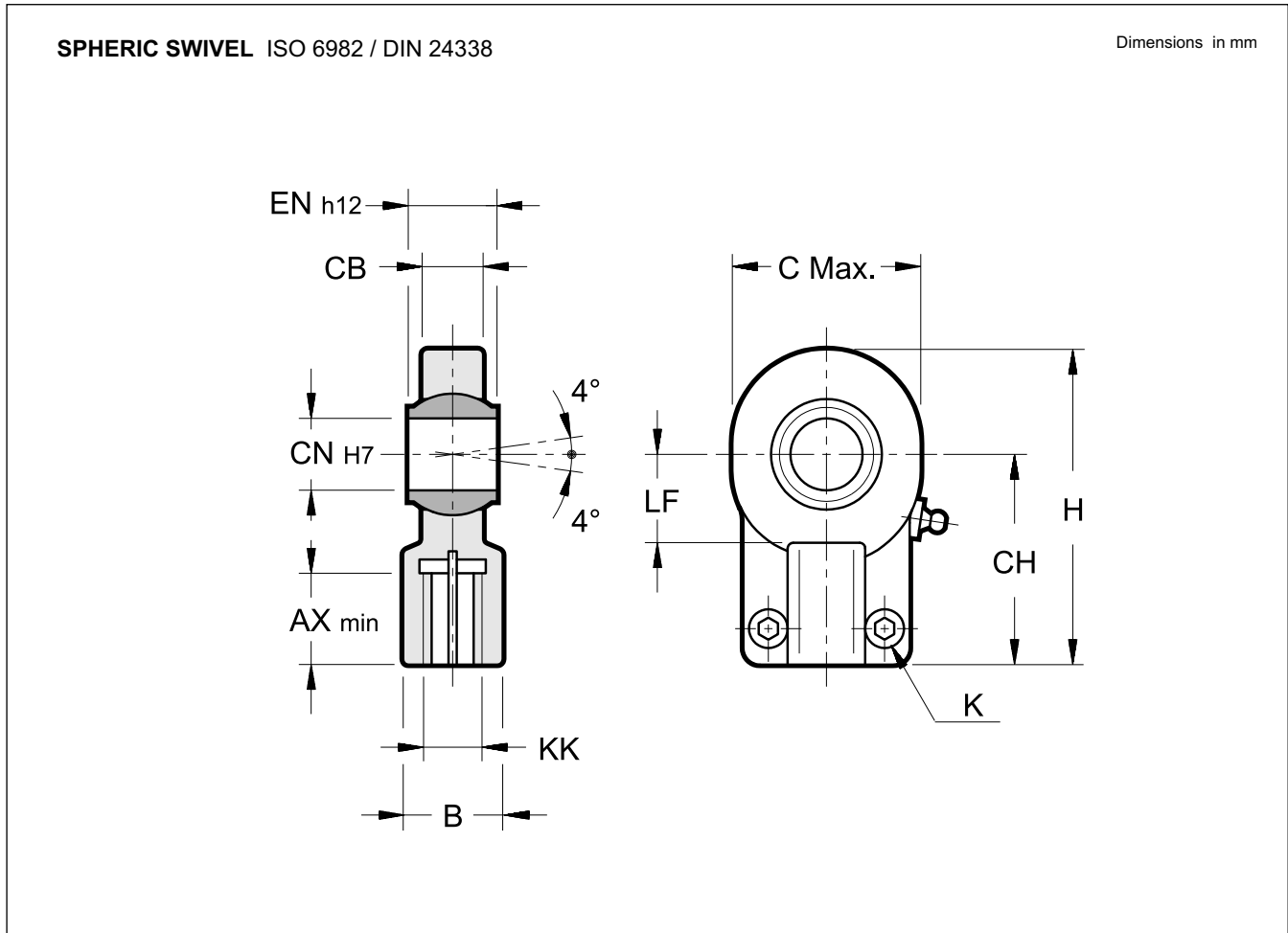
Connector: pre-wired connector M12 - IP68  
Cable: with 3 conductors 0.34 mm<sup>2</sup> - length 5 mt.  
Cable material: polyurethane resin (oil resistant)

The connector has two LEDs, one green and one yellow.

**GREEN:** Connector power supply.  
The LED burn when the connector is supplied.

**YELLOW:** position signal.  
ON - piston at stroke end  
OFF - piston not at stroke end

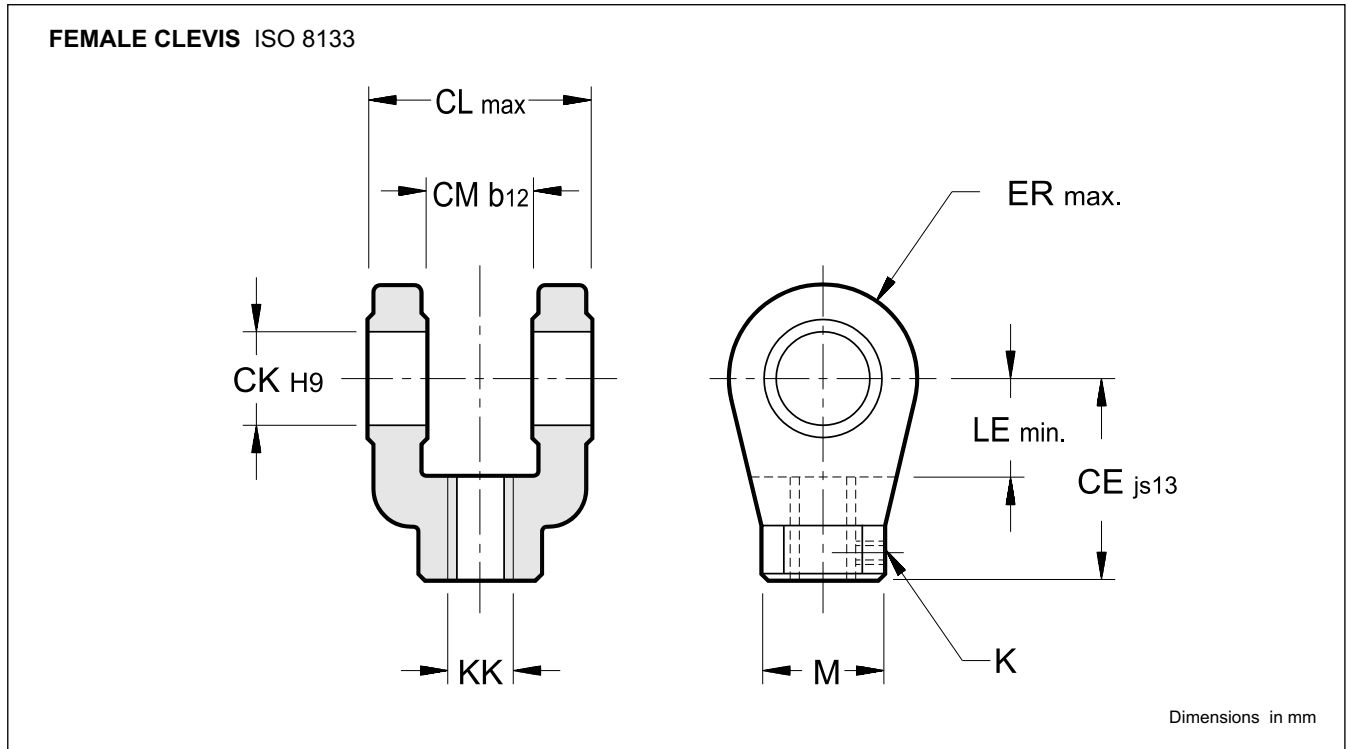
## 17 - OVERALL AND MOUNTING DIMENSIONS



Type	Ø cylinder bore	AX min	B	C max	CB	CH	Ø CN H7	EN h12	H	KK	LF	BOLT K UNI 5931	Torque Nm	Max load kN	Mass Kg
LSF-36	50	37	38	71	28	80	32	32	119	M27x2	32	M10x25	49	67	1.17
LSF-45	63	46	47	90	33	97	40	40	146	M33x2	41	M10x30	49	100	2.15
LSF-56	80	57	58	109	41	120	50	50	180	M42x2	50	M12x35	86	156	3.75
LSF-70	100	64	70	132	53	140	63	63	212	M48x2	62	M16x40	210	255	7
LSF-90	125	86	90	170	67	180	80	80	271	M64x3	78	M20x50	410	400	13.8
LSF-100	140	91	100	185	72	195	90	90	296	M72x3	85	M20x60	410	490	19.1
LSF-110	160	96	110	224	84	210	100	100	322	M80x3	98	M24x60	710	610	25
LSF-125	180	106	125	235	88	235	110	110	364	M90x3	105	M24x60	710	655	32
LSF-140	200	113	135	290	102	260	125	125	405	M100x3	120	M24x70	710	950	46
LSF-180	250	126	165	346	130	310	160	160	480	M125x4	150	M24x80	710	1370	82.5
LSF-220	320	161	215	460	162	390	200	200	620	M160x4	195	M30x100	1500	2120	168

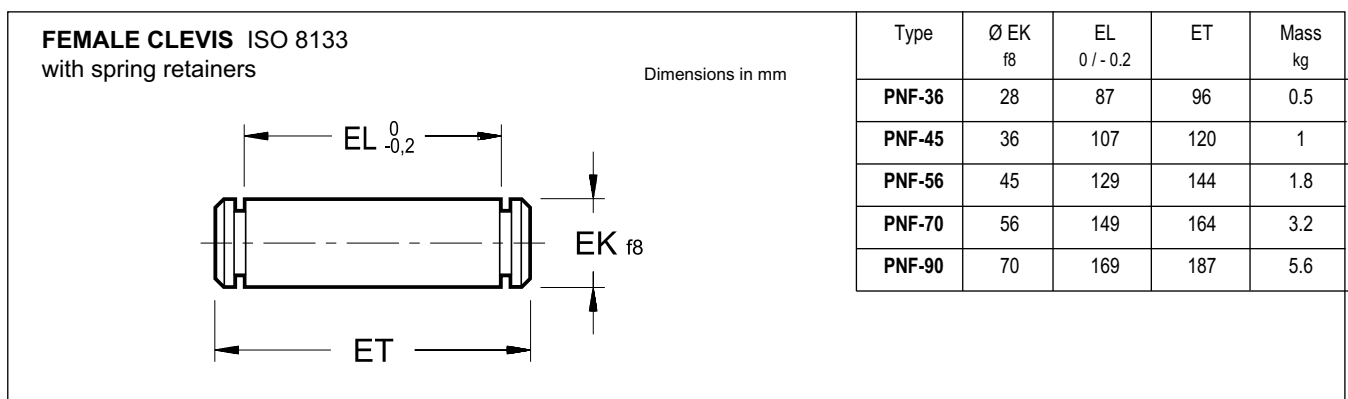


## 18 - OVERALL AND MOUNTING DIMENSIONS



Type	Ø cylinder bore	M	CE	Ø CK	CL	CM	ER	KK	LE	K bolt	Max load kN	Mass kg
		CH	js13	H9	max	b12	max		min			
<b>FRC-36</b>	50	40	75	28	83	40	34	M27x2	39	M6x6	80	1.8
<b>FRC-45</b>	63	56	99	36	103	50	50	M33x2	54	M8x8	125	3.7
<b>FRC-56</b>	80	56	113	45	123	60	53	M42x2	57	M8x8	200	5.6
<b>FRC-70</b>	100	75	126	56	143	70	59	M48x2	63	M12x12	320	9.3
<b>FRC-90</b>	125	95	168	70	163	80	78	M64x3	83	M12x12	500	20
<b>FRC-110</b>	160	95	168	70	163	80	78	M80x3	83	M12x12	500	20

## 19 - OVERALL AND MOUNTING DIMENSIONS





**HC3**  
SERIES 10



**DIPLOMATIC MS S.p.A.**

via M. Re Depaolini 24 • 20015 PARABIAGO (MI) • ITALY  
tel. +39 0331.895.111 • [www.diplomatic.com](http://www.diplomatic.com) • e-mail: [sales.exp@diplomatic.com](mailto:sales.exp@diplomatic.com)